



Penner Architectural Millwork, LLC

26260 Hwy 32 Lebanon, MO 65536

www.pennerarchitectural.com

Product Details

Drawings Submittals

JOB NOTES

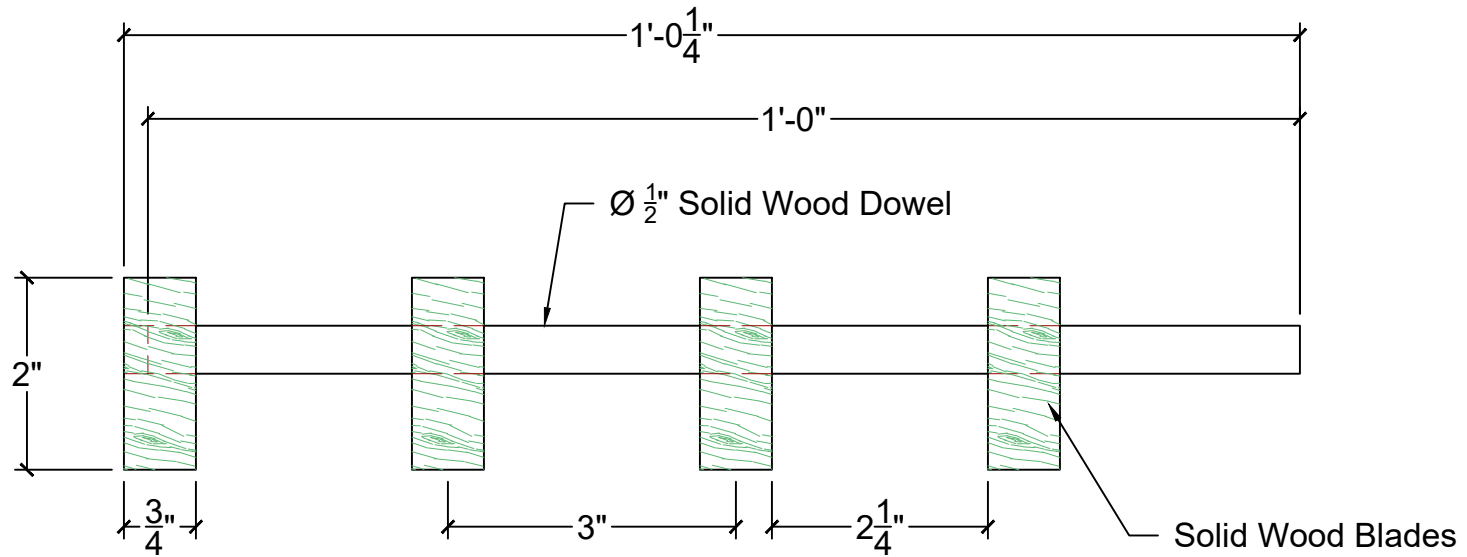
Panel Sizes and Quantities:

- PRODUCT :** MACH 1 - GRILLE CEILING SYSTEM
- VENEER:** VARIOUS CUT/MATCH OPTIONS
- SUBSTRATE:** CLASS "A" FIRE RATED PARTICLE BOARD (NAUF OR ULEF)
- FSC CERTIFICATION:** NONE
- PANEL DESCRIPTION:** 12-1/4" WIDE X VARIOUS LENGTHS UP TO 7'-11" LONG
- BLADE DETAILS:** 4 BLADES PER FOOT, 3/4" THICK x 2" DEEP
- FINISH:** CLEAR/CUSTOM, SATIN SHEEN
- PERIMETER:** PERIMETER PANELS WILL BE FIELD CUT (IF REQ'D) BY INSTALLER
- CUTOUTS:** ALL FIXTURE AND DEVICE OPENINGS TO BE FIELD CUT BY INSTALLER
- SUSPENSION:** ALL PANELS WILL BE ATTACHED WITH DOWEL CLIPS BY PA, AT 24" O.C. MAX

TOTAL PANELS: APPROX 1,200 TOTAL SQ FT (WASTE / ATTIC STOCK NOT INCLUDED)
 1## P01 12-1/4" WIDE X UP TO 7'-11" LONG

OVERAGE IS NOT INCLUDED. CUSTOMER SHOULD CONSIDER ORDERING EXTRA MATERIAL FOR WASTE AND/OR ATTIC STOCK.

	PENNER ARCHITECTURAL MILLWORK LLC		PRODUCT DETAILS		
	26260 Hwy 32 Lebanon, MO 65536 Office: (417) 718-2400 Website: www.pennerarchitectural.com		Mach 1-DSW-.75 4-2.00	PAGE P1	
			DATE: 01-15-26	SCALE: AS NOTED	SDR
			REV:	DATE:	



A
P2

Typical Panel Section View

Scale: 6" = 1'



**PENNER ARCHITECTURAL
MILLWORK LLC**

26260 Hwy 32 Lebanon, MO 65536

Office: (417) 718-2400

Website: www.pennerarchitectural.com

PRODUCT DETAILS

**Mach 1-DSW-.75
4-2.00**

PAGE

P2

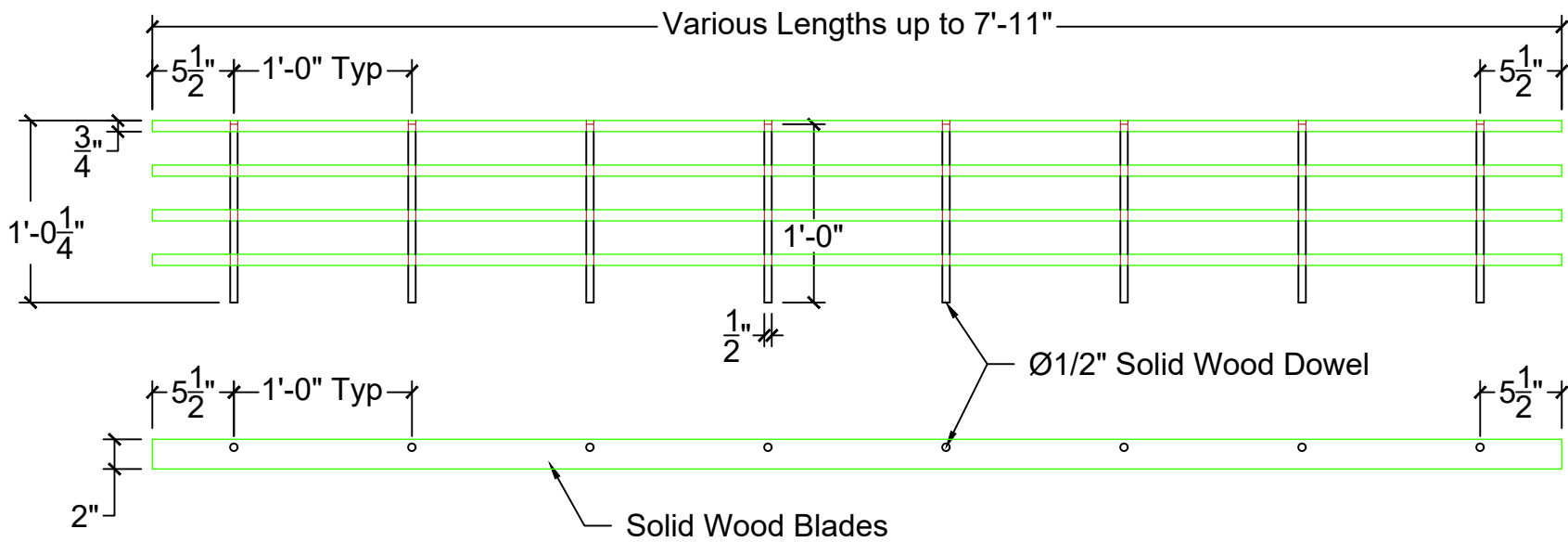
DATE: 01-15-26

SCALE: AS NOTED

REV:

DATE:

SDR

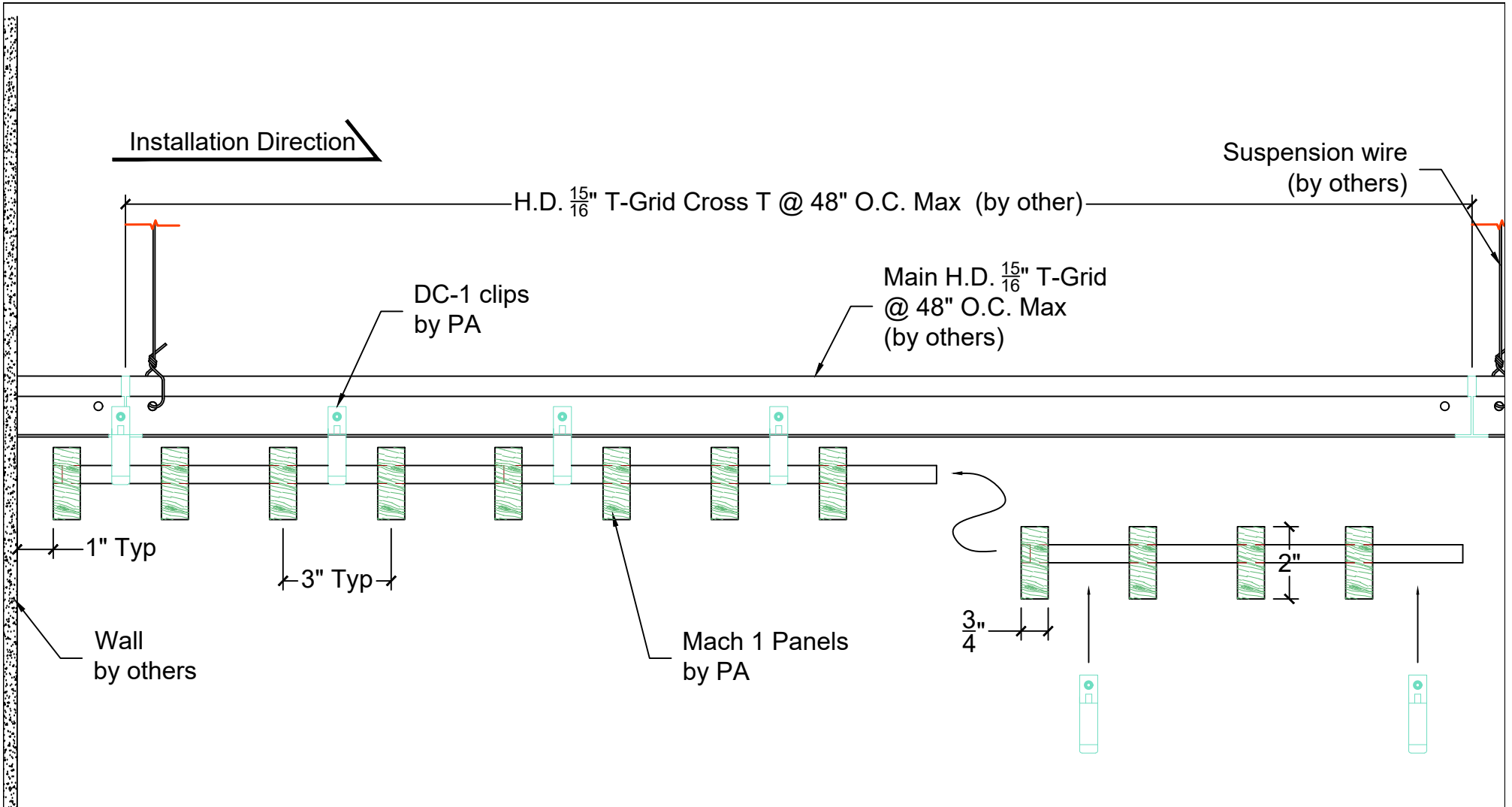


A
P3

Panel Details - Back and Side Views

Scale: 1" = 1'

 <p>PENNER ARCHITECTURAL MILLWORK LLC 26260 Hwy 32 Lebanon, MO 65536 Office: (417) 718-2400 Website: www.pennerarchitectural.com</p>	PRODUCT DETAILS		
	<p>Mach 1-DSW-.75 4-2.00</p>		<p>PAGE P3</p>
	DATE: 01-15-26	SCALE: AS NOTED	<p>SDR</p>
	REV:	DATE:	



A
P4

Panel Installation - Beginning Ceiling Installation

Scale: 3" = 1'



**PENNER ARCHITECTURAL
MILLWORK LLC**

26260 Hwy 32 Lebanon, MO 65536

Office: (417) 718-2400

Website: www.pennerarchitectural.com

PRODUCT DETAILS

**Mach 1-DSW-.75
4-2.00**

PAGE

P4

DATE: 01-15-26

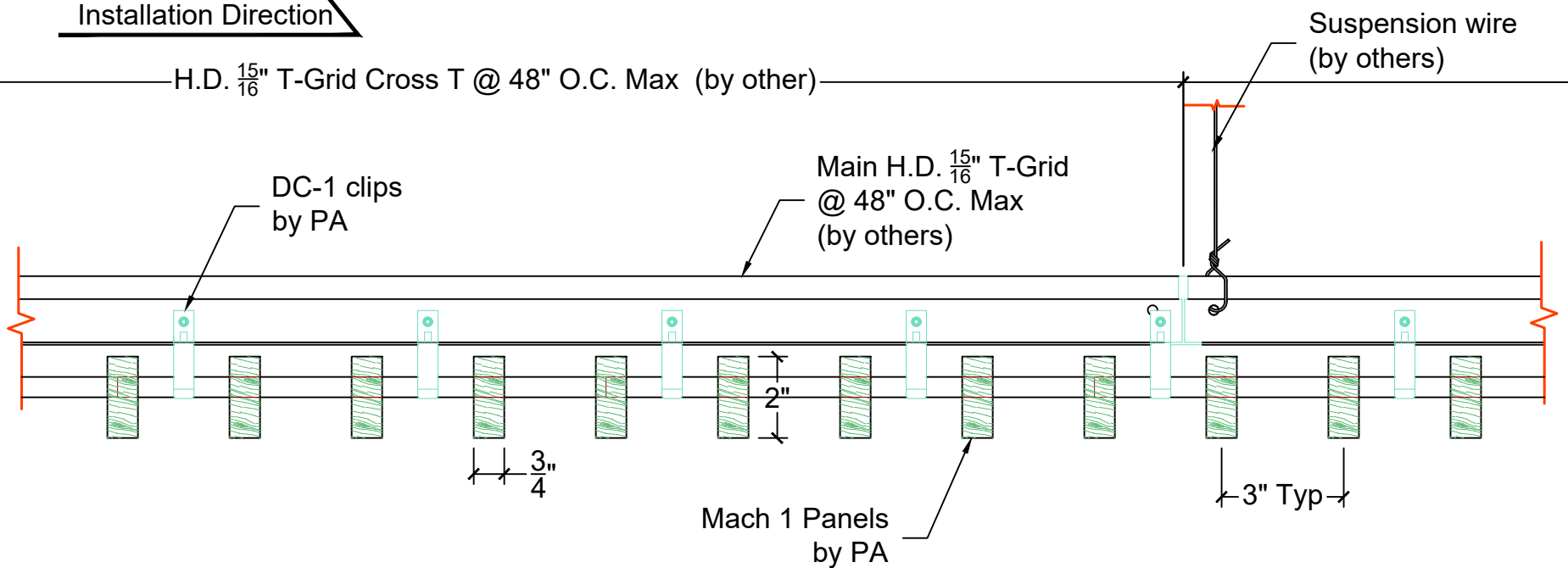
SCALE: AS NOTED

REV:

DATE:

SDR

Installation Direction ↘

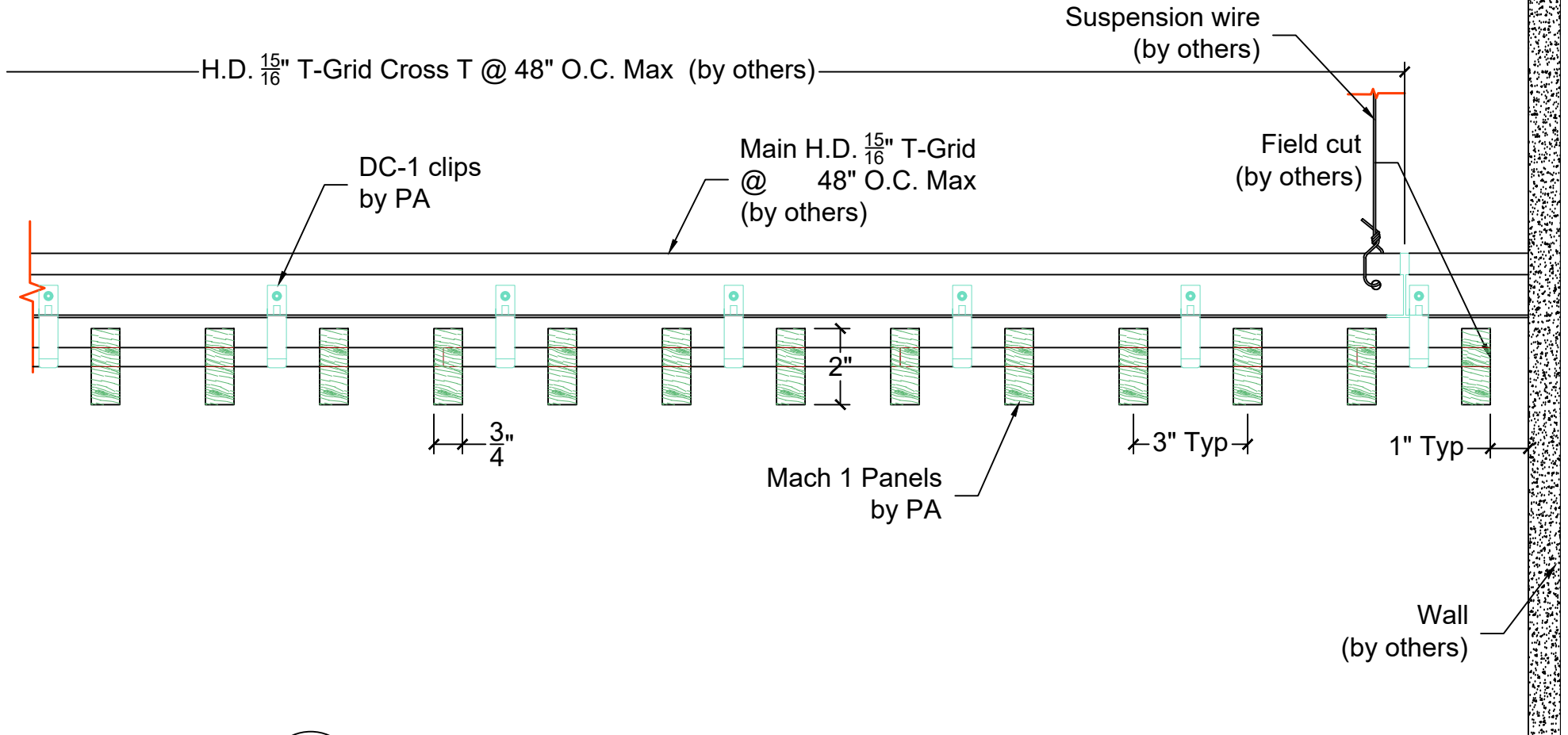


A Panel Installation Details
P5

Scale: 3" = 1'

 <p>PENNER ARCHITECTURAL MILLWORK LLC 26260 Hwy 32 Lebanon, MO 65536 Office: (417) 718-2400 Website: www.pennerarchitectural.com</p>	PRODUCT DETAILS		
	Mach 1-DSW-.75 4-2.00		PAGE P5
	DATE: 01-15-26	SCALE: AS NOTED	SDR
	REV:	DATE:	

Installation Direction



A
P6

Panel Installation - Ending Ceiling Installation

Scale: 3" = 1'



**PENNER ARCHITECTURAL
MILLWORK LLC**

26260 Hwy 32 Lebanon, MO 65536

Office: (417) 718-2400

Website: www.pennerarchitectural.com

PRODUCT DETAILS

**Mach 1-DSW-.75
4-2.00**

PAGE

P6

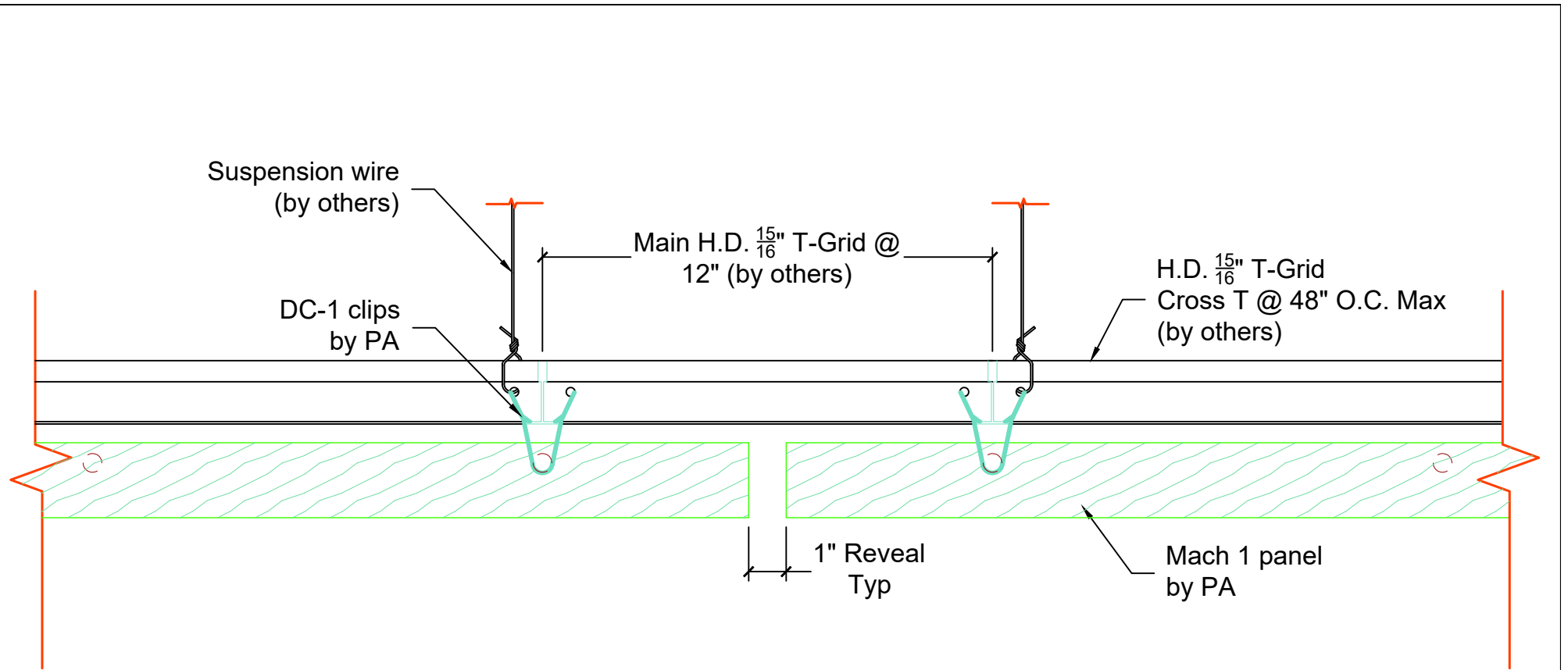
DATE: 01-15-26

SCALE: AS NOTED

REV:

DATE:

SDR



A
P7

Panel Installation @ Reveal Between Panels

Scale: 3" = 1'



**PENNER ARCHITECTURAL
MILLWORK LLC**

26260 Hwy 32 Lebanon, MO 65536

Office: (417) 718-2400

Website: www.pennerarchitectural.com

PRODUCT DETAILS

**Mach 1-DSW-.75
4-2.00**

PAGE

P7

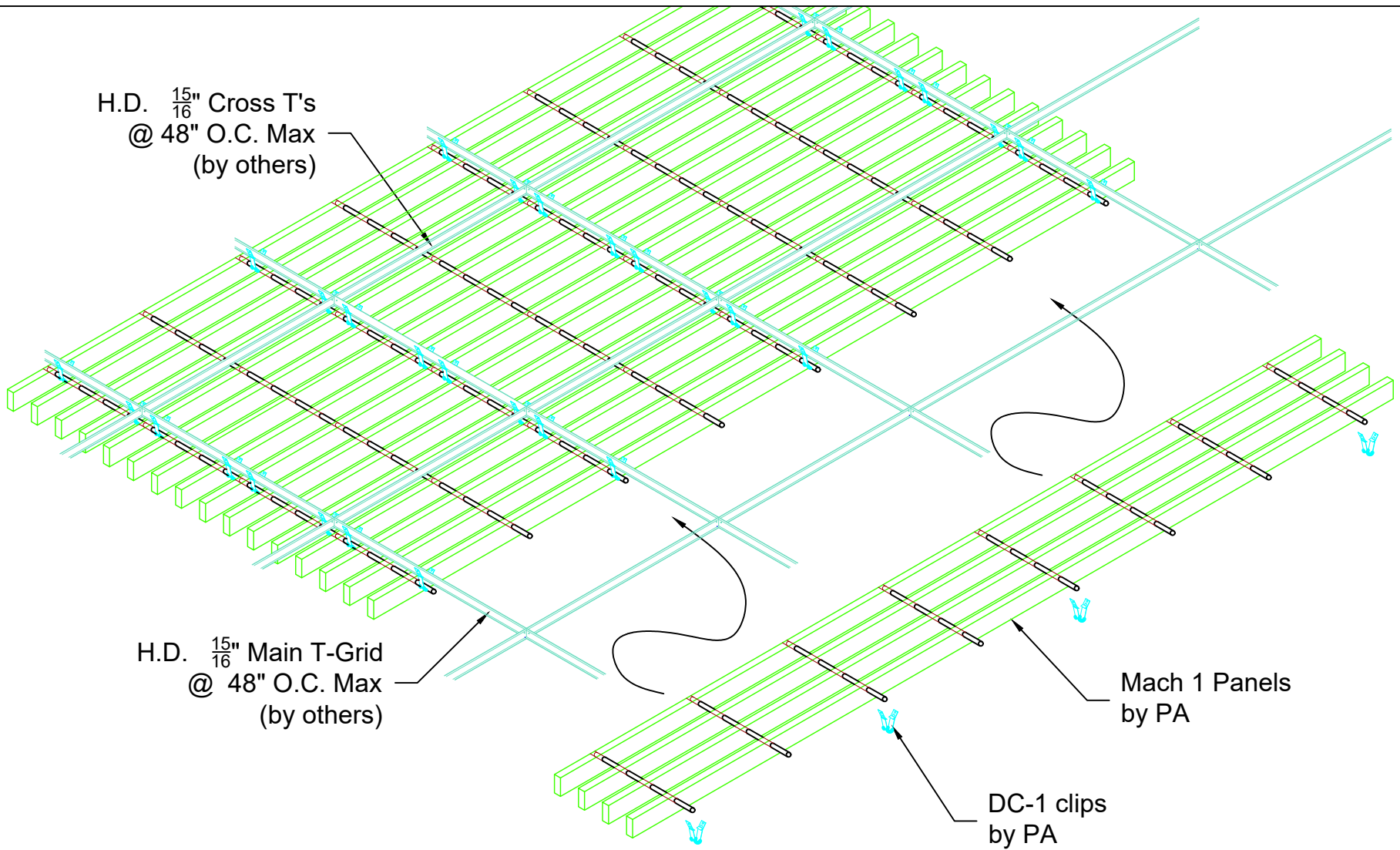
DATE: 01-15-26

SCALE: AS NOTED

REV:

DATE:

SDR



A
P8

Isometric Panel Installation

Scale: 3/4" = 1'

 <p>PENNER ARCHITECTURAL MILLWORK LLC 26260 Hwy 32 Lebanon, MO 65536 Office: (417) 718-2400 Website: www.pennerarchitectural.com</p>	PRODUCT DETAILS		
	Mach 1-DSW-.75 4-2.00		PAGE P8
	DATE: 01-15-26	SCALE: AS NOTED	SDR
	REV:	DATE:	