



**Penner Architectural Millwork, LLC**

26260 Hwy 32 Lebanon, MO 65536

[www.pennerarchitectural.com](http://www.pennerarchitectural.com)

# **Product Details**

# **Drawings Submittals**

# JOB NOTES

## Panel Sizes and Quantities:

**PRODUCT :** MACH 1 - GRILLE CEILING SYSTEM

**VENEER:** VARIOUS CUT/MATCH OPTIONS

**SUBSTRATE:** CLASS "A" FIRE RATED PARTICLE BOARD (NAUF OR ULEF)

**FSC CERTIFICATION:** NONE

**PANEL DESCRIPTION:** 12-1/4" WIDE X VARIOUS LENGTHS UP TO 7'-11" LONG

**BLADE DETAILS:** 4 BLADES PER FOOT, 3/4" THICK x 2-3/4" DEEP

**FINISH:** CLEAR/CUSTOM, SATIN SHEEN

**PERIMETER:** PERIMETER PANELS WILL BE FIELD CUT (IF REQ'D) BY INSTALLER

**CUTOUTS:** ALL FIXTURE AND DEVICE OPENINGS TO BE FIELD CUT BY INSTALLER

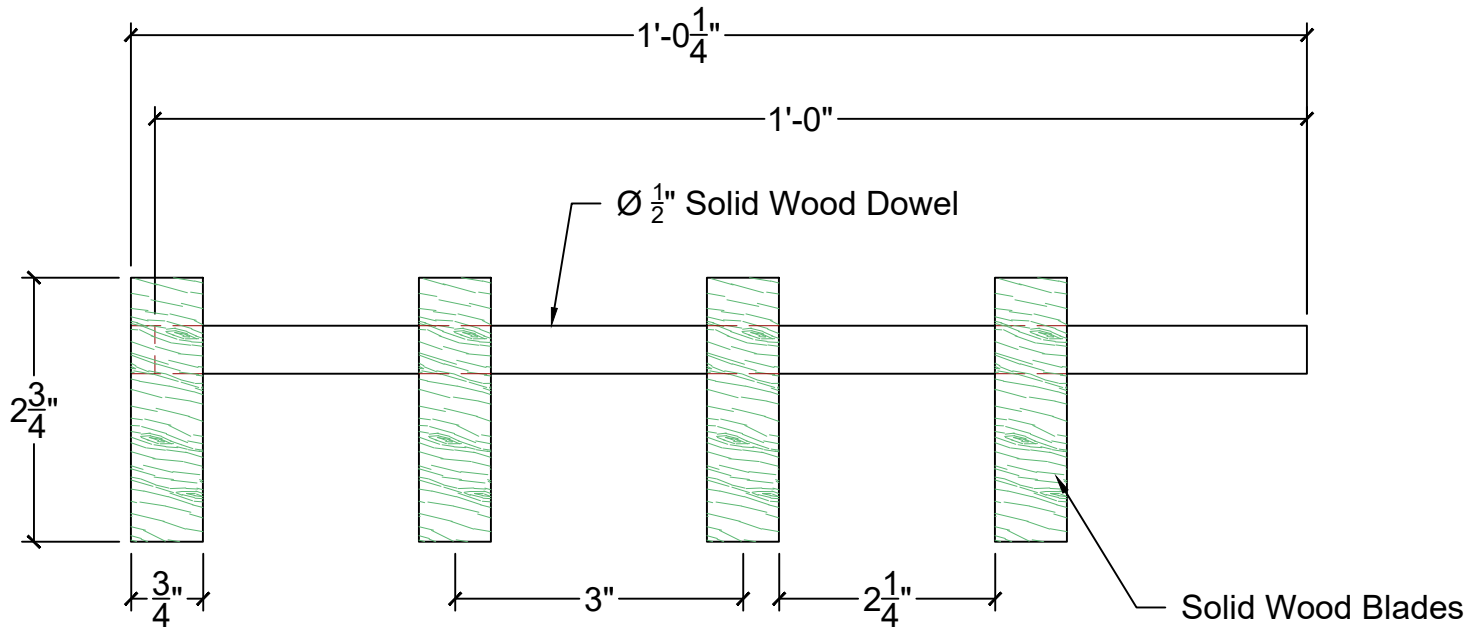
**SUSPENSION:** ALL PANELS WILL BE ATTACHED WITH DOWEL CLIPS BY PA, AT 24" O.C. MAX

**TOTAL PANELS:** APPROX 1,200 TOTAL SQ FT (WASTE / ATTIC STOCK NOT INCLUDED)

1## P01 12-1/4" WIDE X UP TO 7'-11" LONG

OVERAGE IS NOT INCLUDED. CUSTOMER SHOULD CONSIDER ORDERING EXTRA MATERIAL FOR WASTE AND/OR ATTIC STOCK.

 <p><b>PENNER ARCHITECTURAL MILLWORK LLC</b> 26260 Hwy 32 Lebanon, MO 65536 Office: (417) 718-2400 Website: <a href="http://www.pennerarchitectural.com">www.pennerarchitectural.com</a></p>	<b>PRODUCT DETAILS</b>	
	<b>Mach 1-DSW-.75 4-2.75</b>	PAGE <b>P1</b>
	DATE: 01-16-26	SCALE: AS NOTED
	REV:	DATE:
		<b>SDR</b>



**A**  
P2

Typical Panel Section View

Scale: 6" = 1'



**PENNER ARCHITECTURAL  
MILLWORK LLC**

26260 Hwy 32 Lebanon, MO 65536

Office: (417) 718-2400

Website: [www.pennerarchitectural.com](http://www.pennerarchitectural.com)

PRODUCT DETAILS

**Mach 1-DSW-.75  
4-2.75**

PAGE

P2

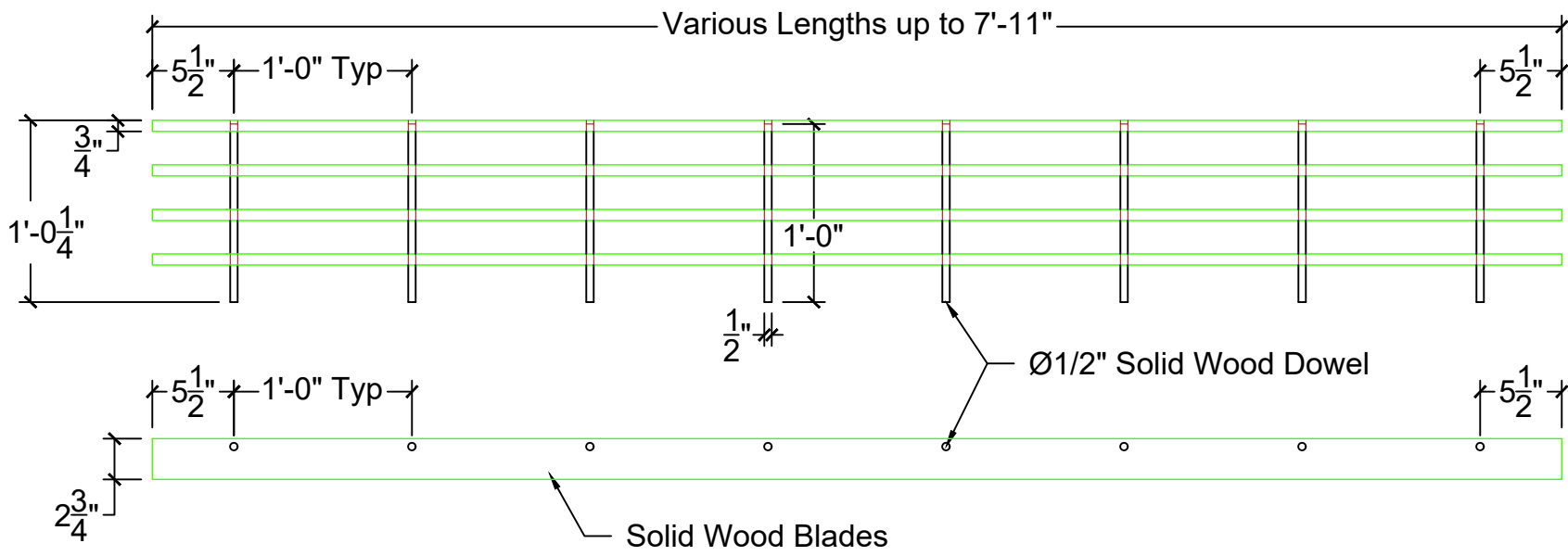
DATE: 01-16-26

SCALE: AS NOTED

REV:

DATE:

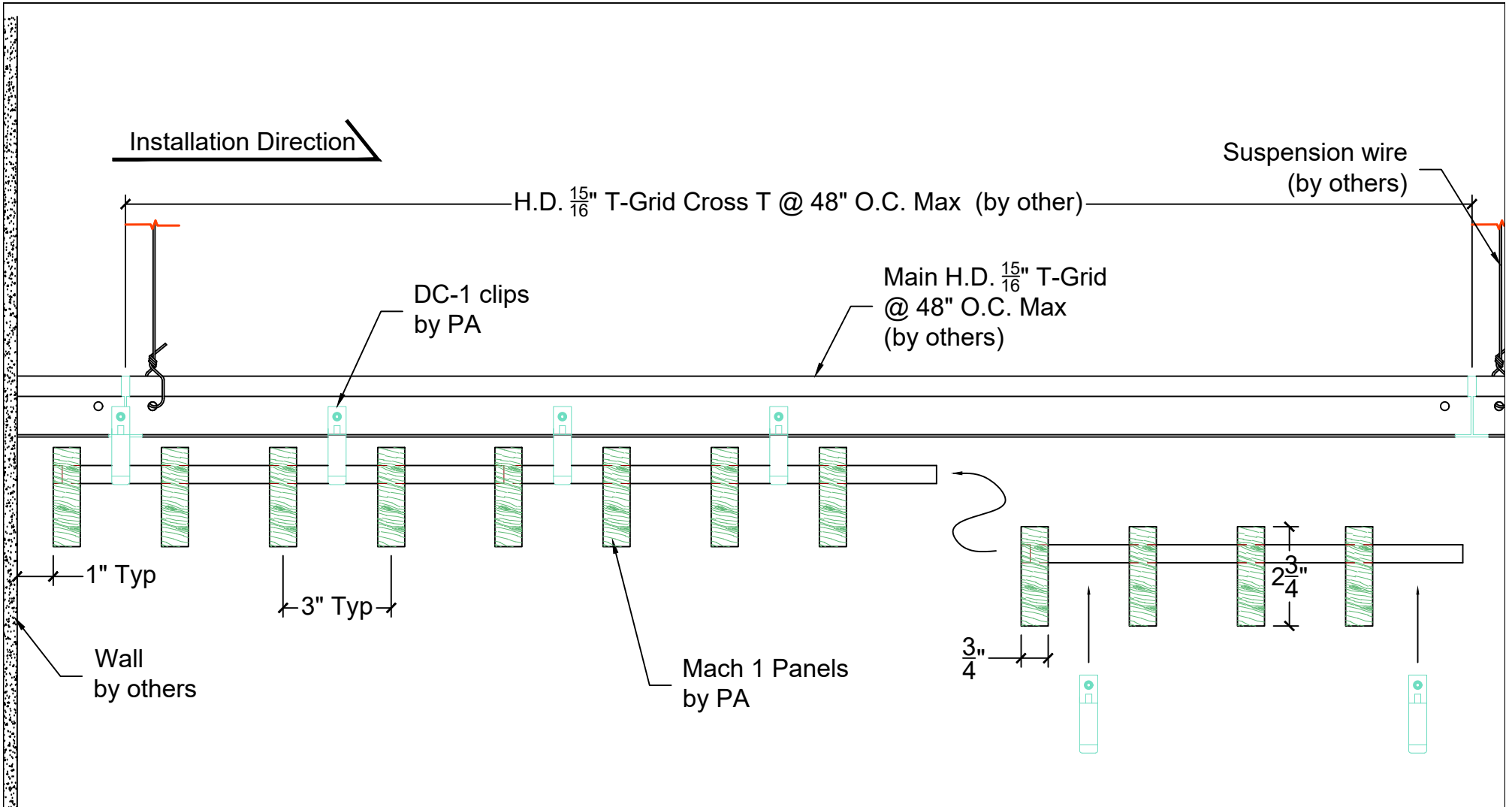
SDR



**A**  
P3 Panel Details - Back and Side Views

Scale: 1" = 1'

 <b>PENNER ARCHITECTURAL MILLWORK LLC</b> 26260 Hwy 32 Lebanon, MO 65536 Office: (417) 718-2400 Website: www.pennerarchitectural.com	<b>PRODUCT DETAILS</b>		
	<b>Mach 1-DSW-.75 4-2.75</b>		PAGE P3
	DATE: 01-16-26	SCALE: AS NOTED	SDR
	REV:	DATE:	



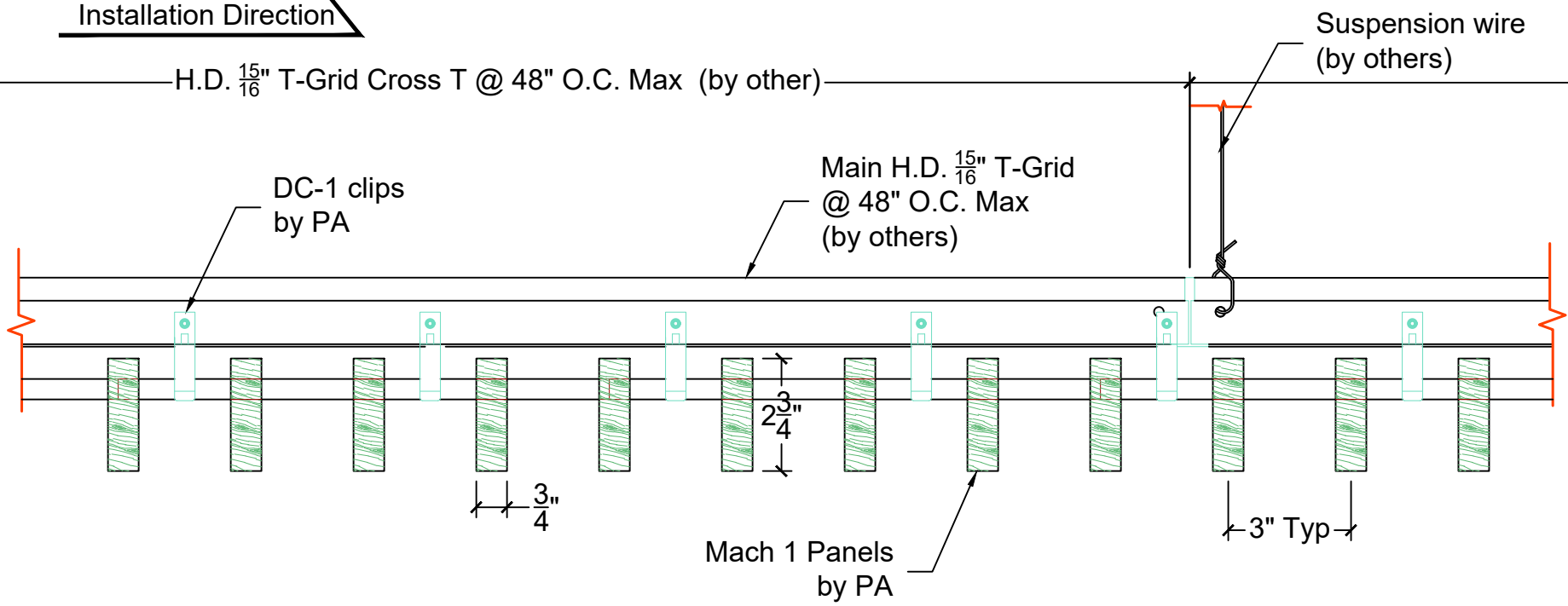
**A**  
P4

Panel Installation - Beginning Ceiling Installation

Scale: 3" = 1'

 <p><b>PENNER ARCHITECTURAL MILLWORK LLC</b> 26260 Hwy 32 Lebanon, MO 65536 Office: (417) 718-2400 Website: www.pennerarchitectural.com</p>	<b>PRODUCT DETAILS</b>		
	<b>Mach 1-DSW-.75 4-2.75</b>		PAGE P4
	DATE: 01-16-26	SCALE: AS NOTED	SDR
	REV:	DATE:	

Installation Direction ↘

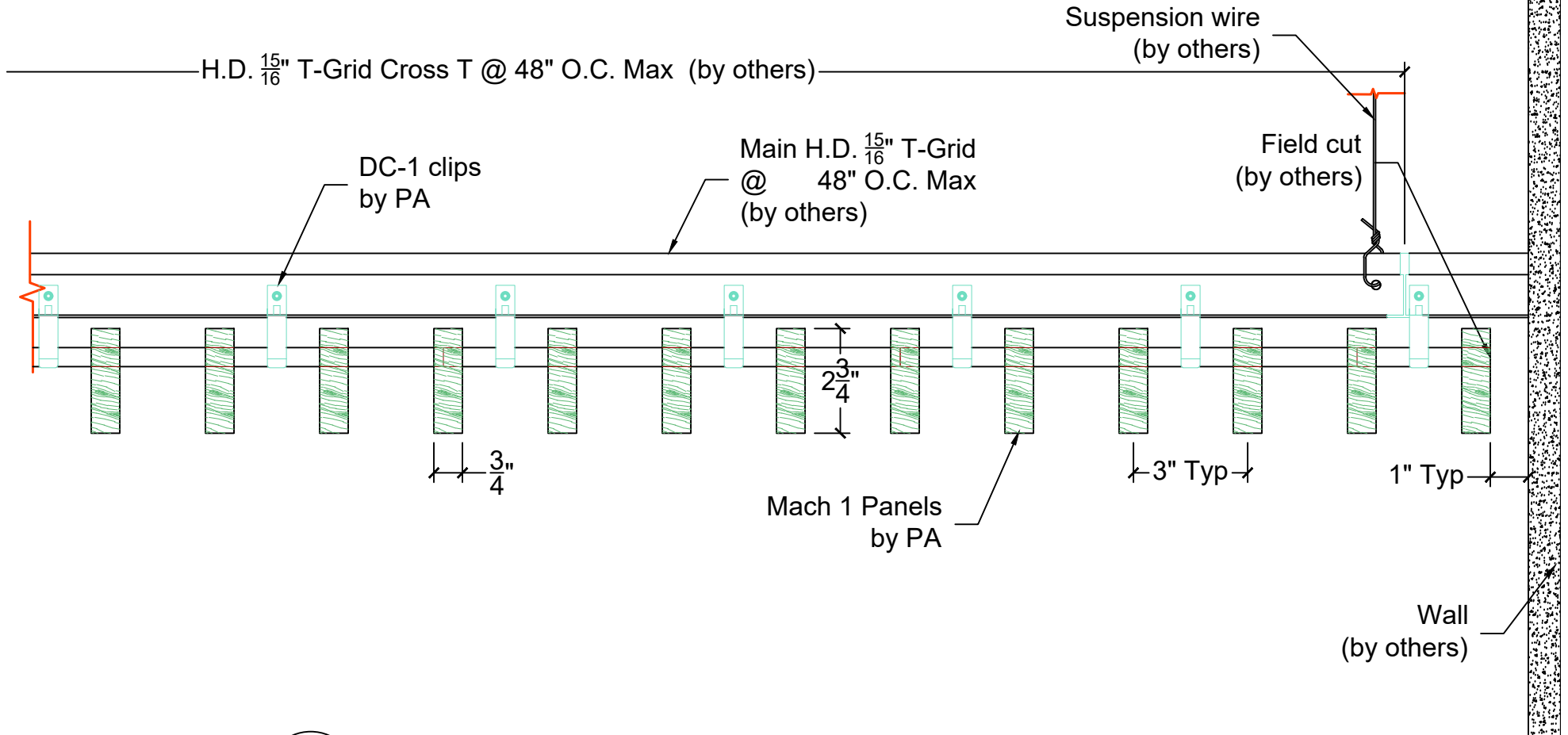


**A** Panel Installation Details  
P5

Scale: 3" = 1'

 <p><b>PENNER ARCHITECTURAL MILLWORK LLC</b> 26260 Hwy 32 Lebanon, MO 65536 Office: (417) 718-2400 Website: www.pennerarchitectural.com</p>	<b>PRODUCT DETAILS</b>		
	<b>Mach 1-DSW-.75 4-2.75</b>		PAGE P5
	DATE: 01-16-26	SCALE: AS NOTED	SDR
	REV:	DATE:	

Installation Direction



A  
P6

Panel Installation - Ending Ceiling Installation

Scale: 3" = 1'



PENNER ARCHITECTURAL  
MILLWORK LLC

26260 Hwy 32 Lebanon, MO 65536

Office: (417) 718-2400

Website: www.pennerarchitectural.com

PRODUCT DETAILS

Mach 1-DSW-.75  
4-2.75

PAGE

P6

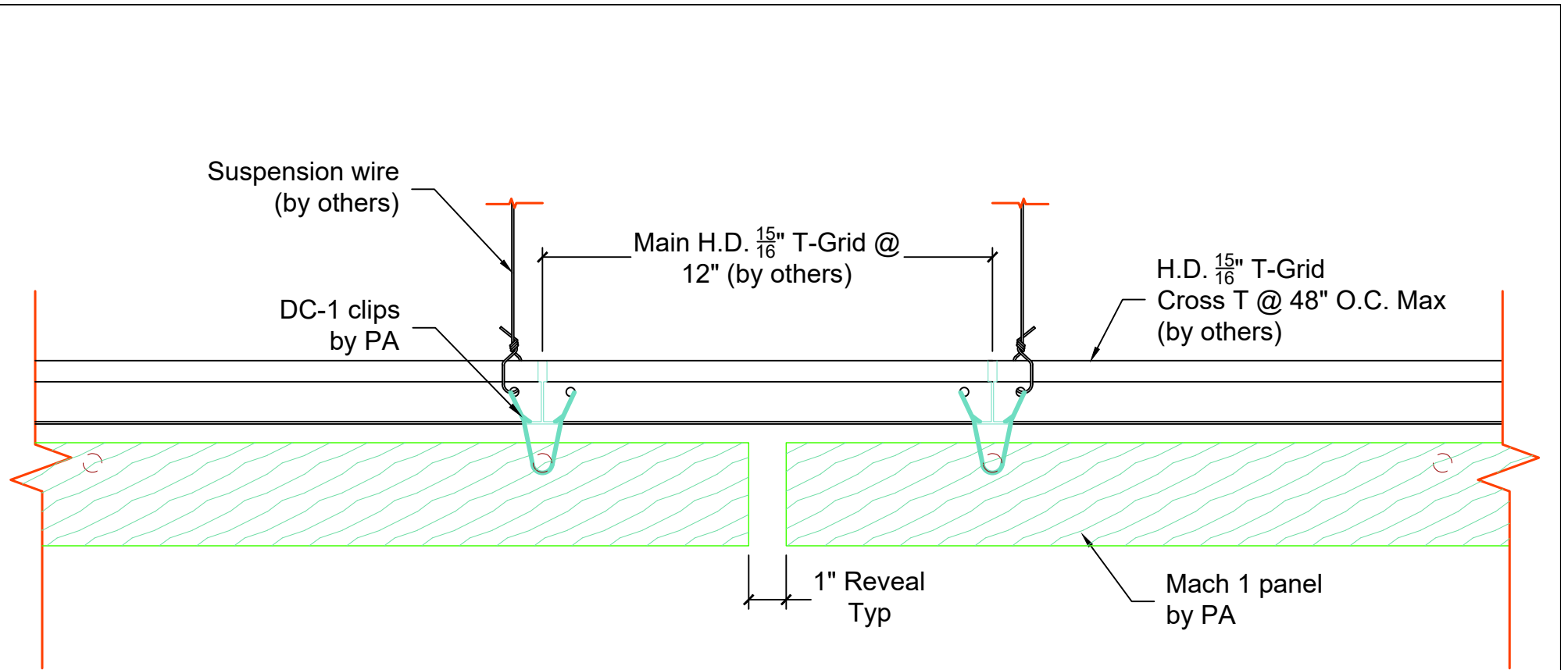
DATE: 01-16-26

SCALE: AS NOTED

REV:

DATE:

SDR



**A**  
**P7**

Panel Installation @ Reveal Between Panels

Scale: 3" = 1'



**PENNER ARCHITECTURAL  
MILLWORK LLC**

26260 Hwy 32 Lebanon, MO 65536

Office: (417) 718-2400

Website: [www.pennerarchitectural.com](http://www.pennerarchitectural.com)

PRODUCT DETAILS

**Mach 1-DSW-.75  
4-2.75**

PAGE

P7

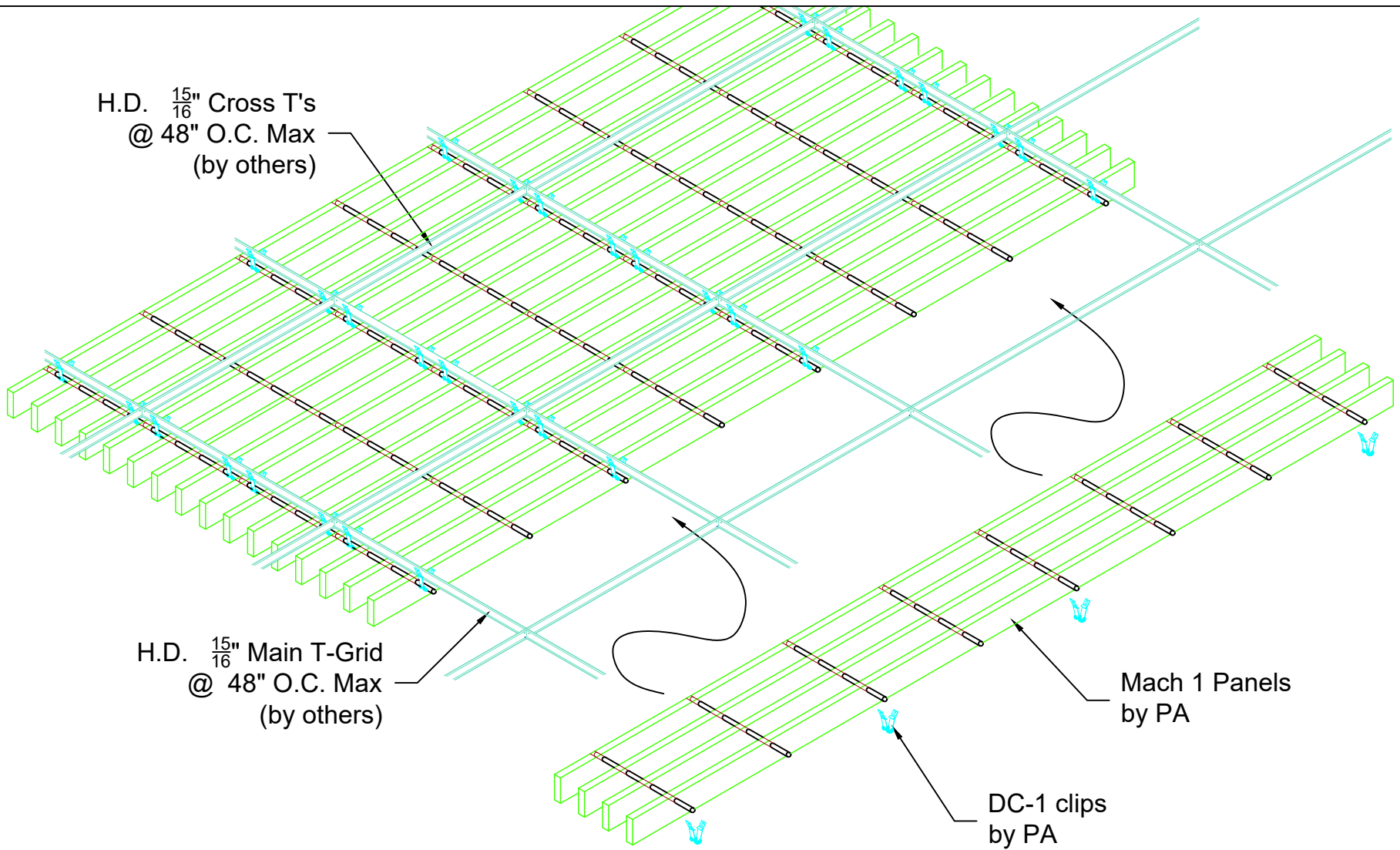
DATE: 01-16-26

SCALE: AS NOTED

REV:

DATE:

SDR



**A**  
P8

Isometric Panel Installation

Scale: 3/4" = 1'

 <p><b>PENNER ARCHITECTURAL MILLWORK LLC</b> 26260 Hwy 32 Lebanon, MO 65536 Office: (417) 718-2400 Website: www.pennerarchitectural.com</p>	<b>PRODUCT DETAILS</b>		
	<b>Mach 1-DSW-.75 4-2.75</b>		PAGE P8
	DATE: 01-16-26	SCALE: AS NOTED	SDR
	REV:	DATE:	